

ENGINEERING DATA



Smith &
Loveless, Inc.®

14040 Santa Fe Trail Drive
Lenexa, Kansas 66215-1284

General Drawings
Section Index
August 2012
Page 1

WASTEWATER TREATMENT SYSTEMS

PISTA® GRIT REMOVAL SYSTEM GENERAL DRAWINGS

SECTION	DESCRIPTION	DATE	PAGE
O	GENERAL DRAWINGS	August 2012	O1 - O18
	PLC Selection Table	August 2012	O1
	PLC Controlled PISTA ® Grit Ethernet Communications Wiring Schematics	67B591	O2 – O4
	Deluxe PLC Controlled PISTA ® Grit Ethernet Communications Wiring Schematics	67B592	O5 – O7
	PISTA ® TURBO ™ Grit Washer with TRI-CLEANSE TECHNOLOGY ™ PLC Controlled Wiring Schematics	67B593	O8 – O10
	Deluxe PISTA ® TURBO ™ Grit Washer with TRI-CLEANSE TECHNOLOGY ™ PLC Controlled Wiring Schematics	67B594	O11 – O14
	PISTA ® Grit Chamber Schematic Wiring Diagram	67B286	O15
	Drive Unit	67B255	O16
	Gear Box and Pump Lift Mounting Assembly – Top-Mounted PISTA ® TURBO ™ Grit Pump	67D134	O17
	Gear Box and Pump Lift Mounting Assembly – Remote-Mounted PISTA ® TURBO ™ Grit Pump	67D136	O18

ENGINEERING DATA



Smith &
Loveless, Inc.®

14040 Santa Fe Trail Drive
Lenexa, Kansas 66215-1284

PLC Wiring Schematics
Selection Table
August 2012
Page 01

PLC Selection Table

OPTIONS	DRAWING			
	67B591	67B592	67B593	67B594
Paddle Drive Controls	●	●	●	●
PISTA® TURBO™ Grit Pump Controls	●	●	●	●
PISTA® Grit Screw Conveyor Controls	●	●		
PISTA® TURBO™ Grit Washer Controls			●	●
MicroLogix PLC	●		●	
20 kB Processor	●		●	
Memory Module for PLC	●	●	●	●
CompactLogix PLC		●		●
750 kB Processor		●		●
Ethernet Port on PLC	●	●	●	●
Color Touchscreen HMI	●	●	●	●
7" TFT HMI	●		●	
10.4" TFT HMI		●		●
Ethernet Port on HMI		●		●
Managed Ethernet Switch		●		●

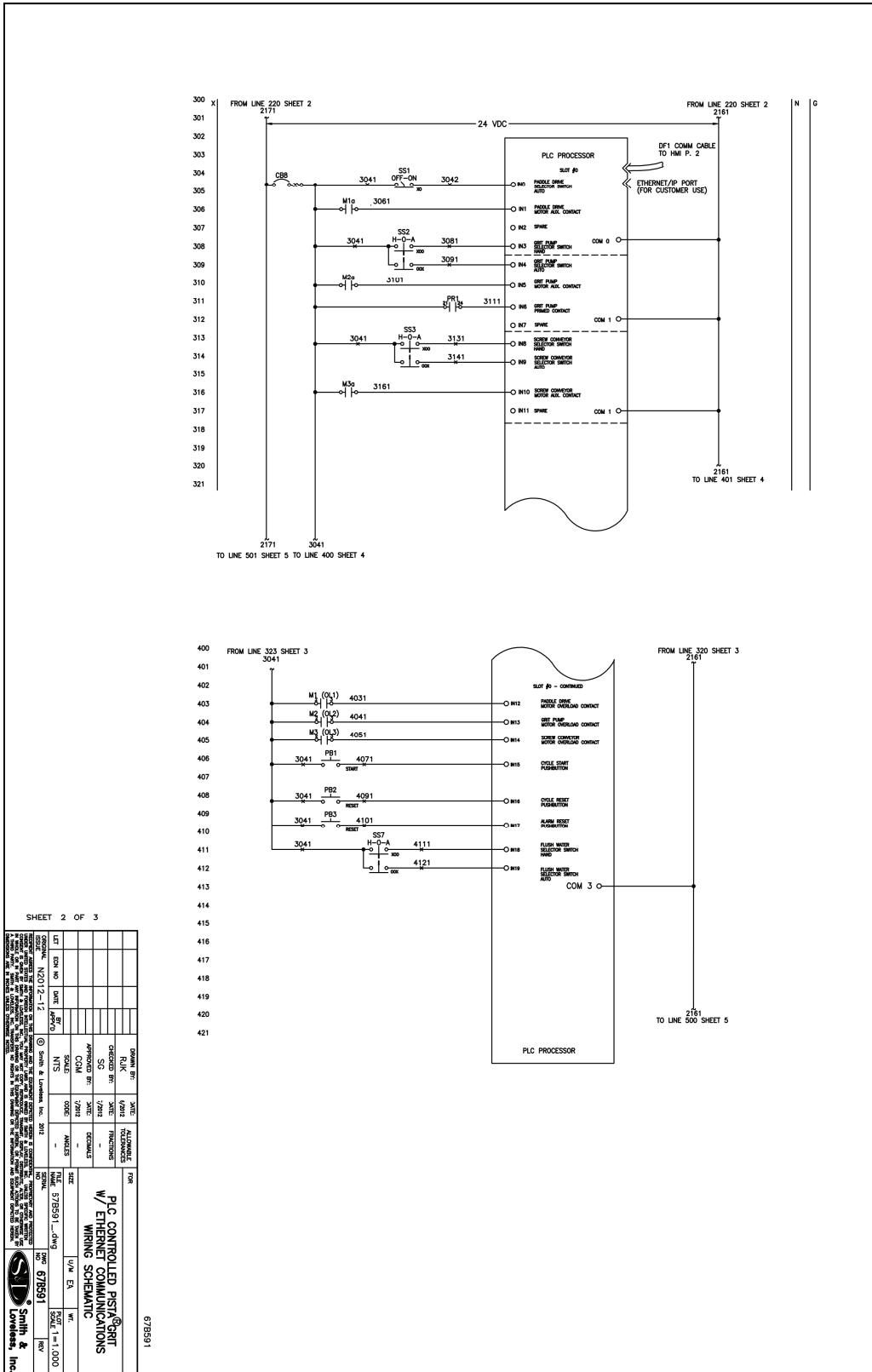
ENGINEERING DATA



Smith & Loveless, Inc.®

14040 Santa Fe Trail Drive
Lenexa, Kansas 66215-1284

PISTA® Grit with Ethernet Communications
PLC Wiring Schematics
Outline Drawing 67B591
Sheet 2 of 3
August 2012
Page O3



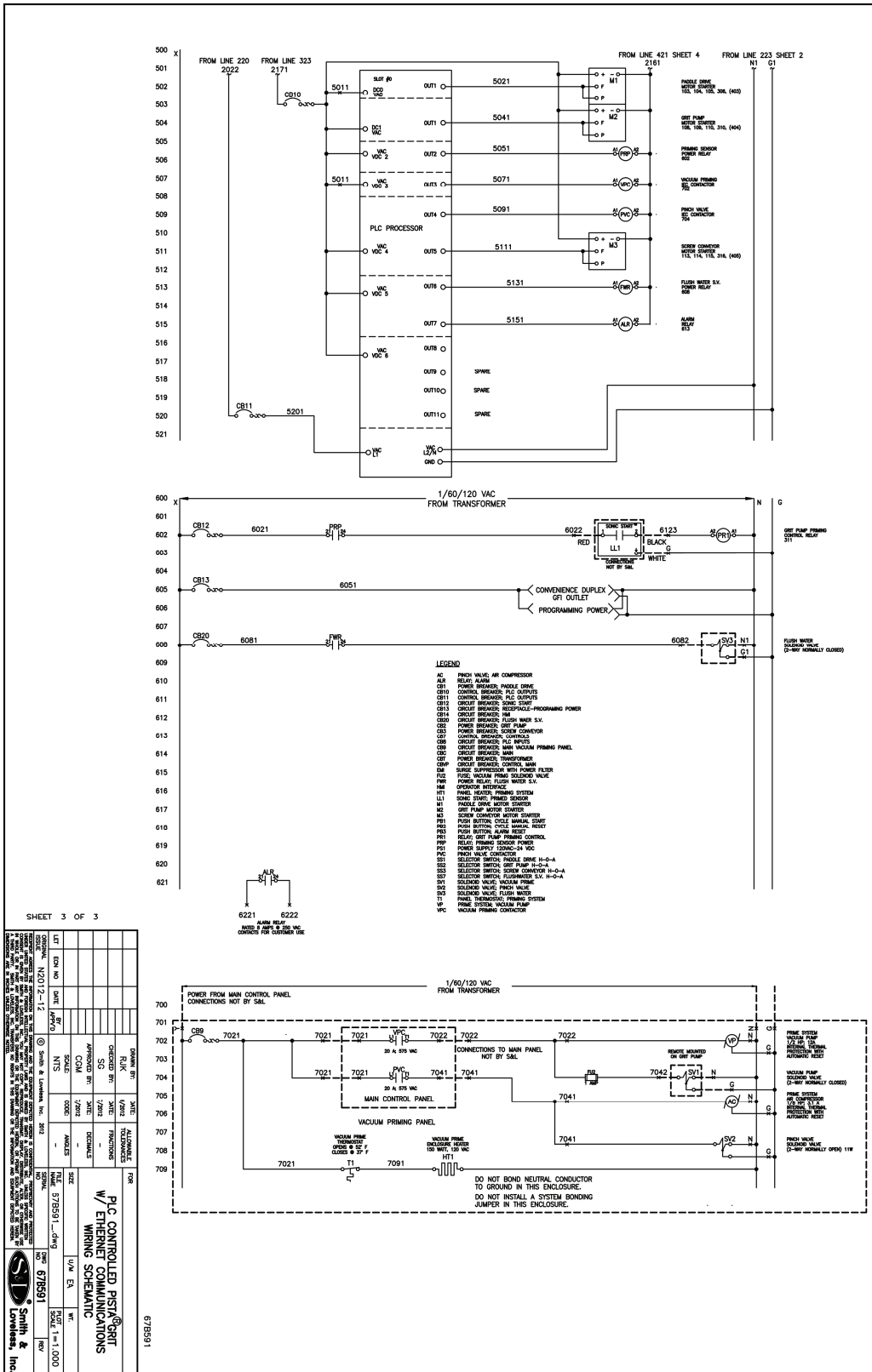
ENGINEERING DATA



Smith & Loveless, Inc.®

14040 Santa Fe Trail Drive
Lenexa, Kansas 66215-1284

PISTA® Grit with Ethernet Communications
PLC Wiring Schematics
Outline Drawing 67B591
Sheet 3 of 3
August 2012
Page 04



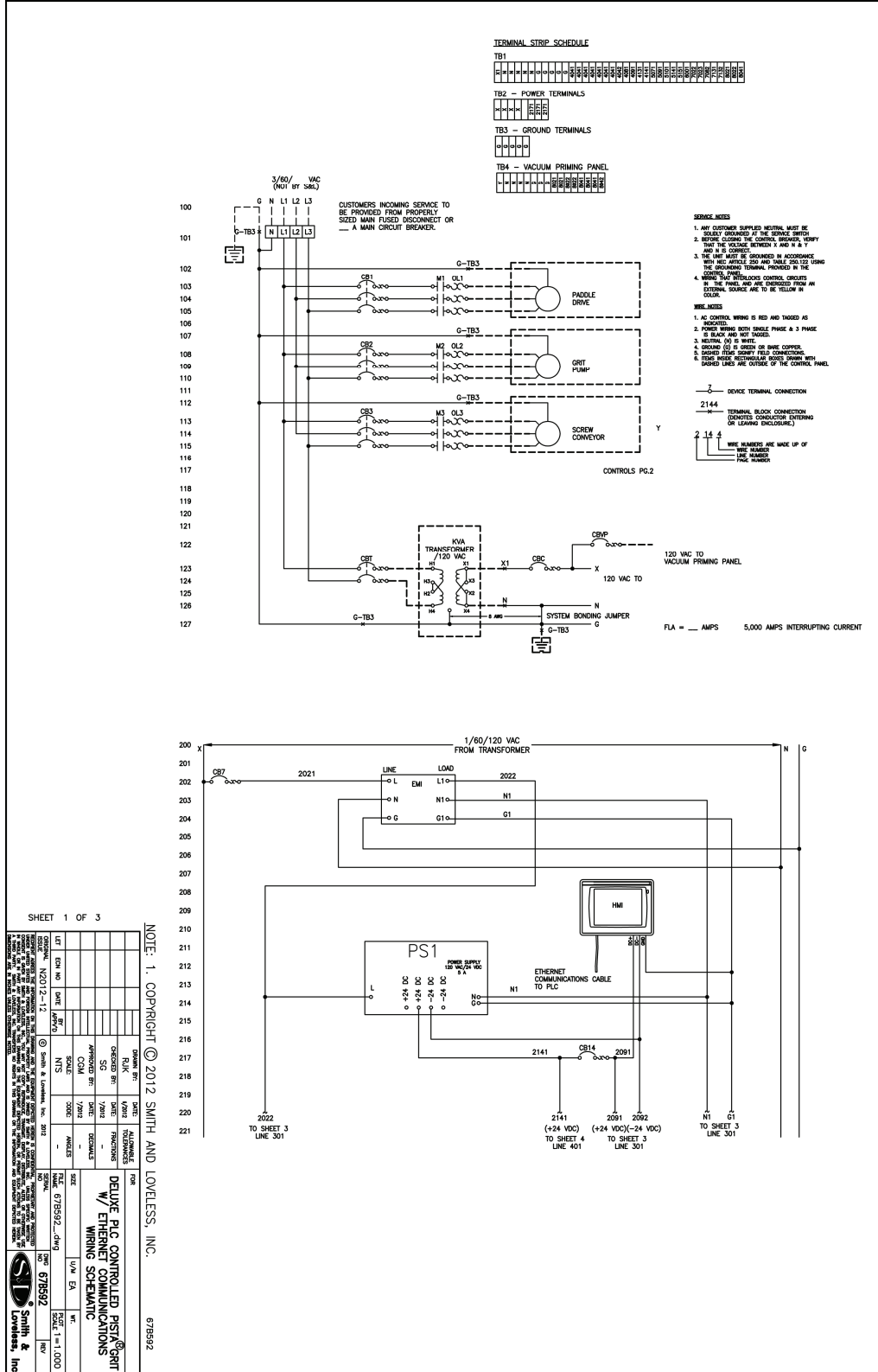
ENGINEERING DATA



Smith &
Loveless, Inc.®

14040 Santa Fe Trail Drive
Lenexa, Kansas 66215-1284

Deluxe PLC Controlled
PISTA® Grit with
Ethernet Communications
PLC Wiring Schematics
Outline Drawing 67B592
Sheet 1 of 3
August 2012
Page O5



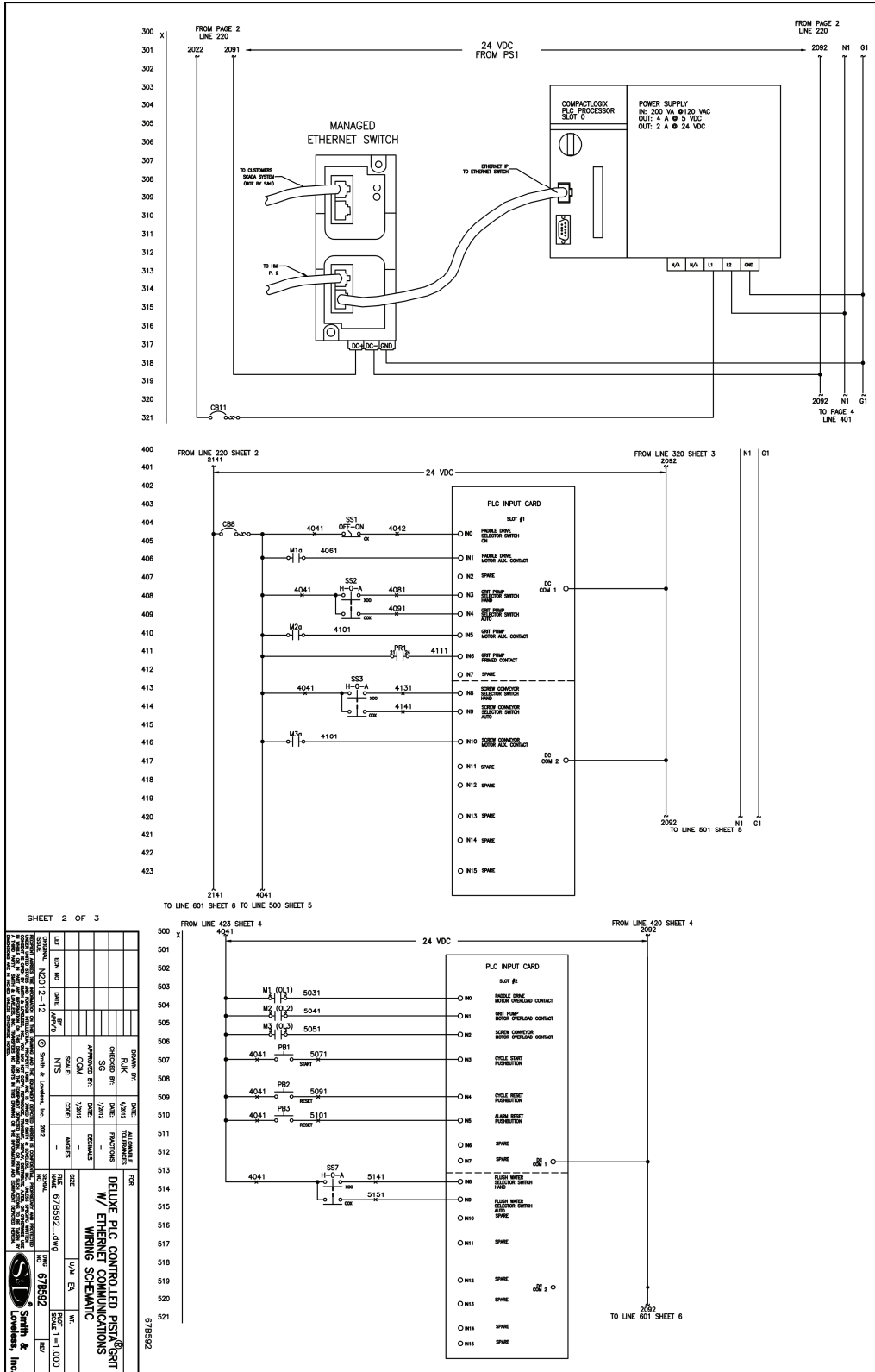
ENGINEERING DATA



Smith &
Loveless, Inc.®

14040 Santa Fe Trail Drive
Lenexa, Kansas 66215-1284

Deluxe PLC Controlled
PISTA® Grit with
Ethernet Communications
PLC Wiring Schematics
Outline Drawing 67B592
Sheet 2 of 3
August 2012
Page O6



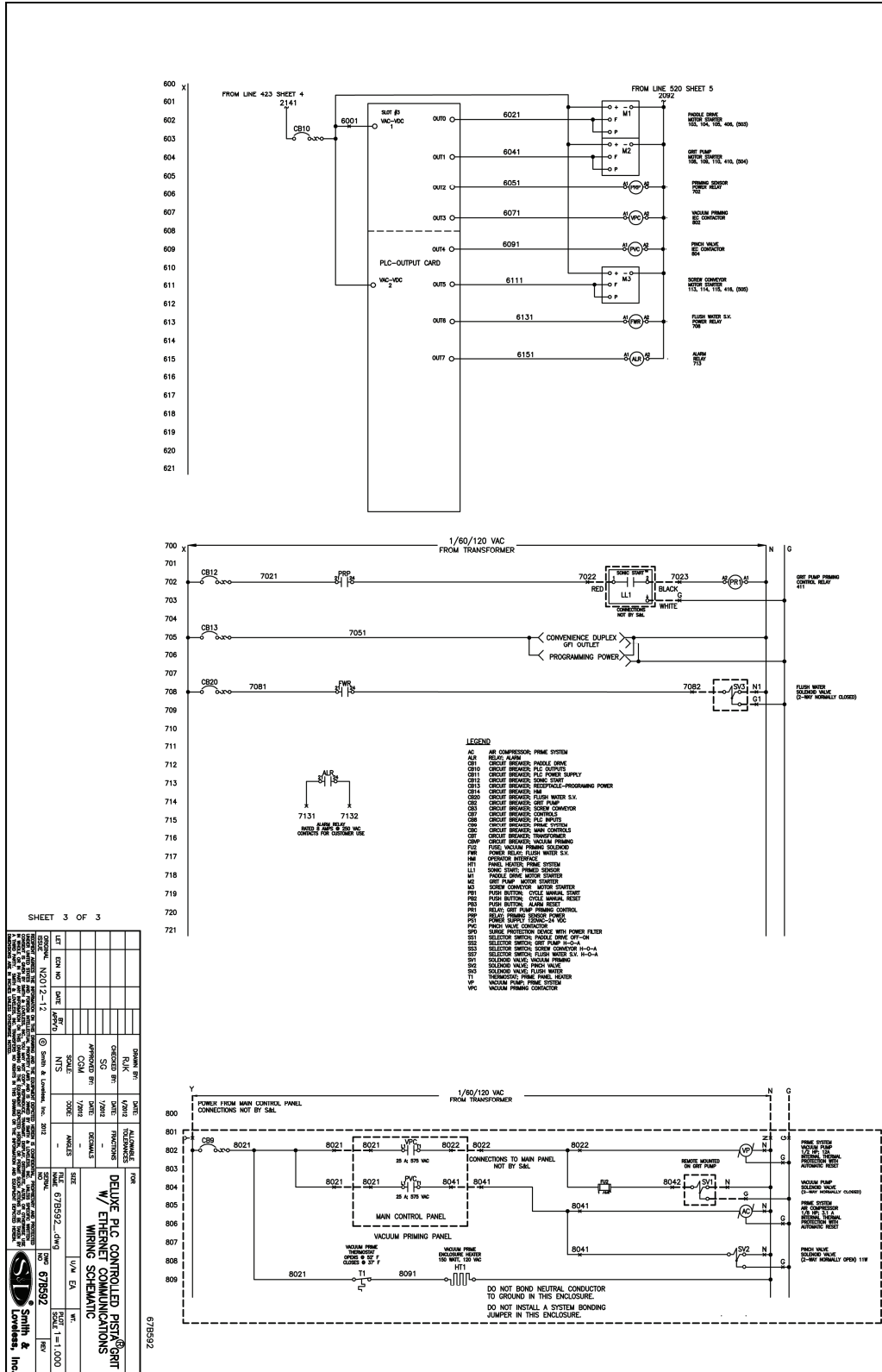
ENGINEERING DATA



Smith &
Loveless, Inc.®

1404 Santa Fe Trail Drive
Lenexa, Kansas 66215-1284

Deluxe PLC Controlled
PISTA® Grit with
Ethernet Communications
PLC Wiring Schematics
Outline Drawing 67B592
Sheet 3 of 3
August 2012
Page 07



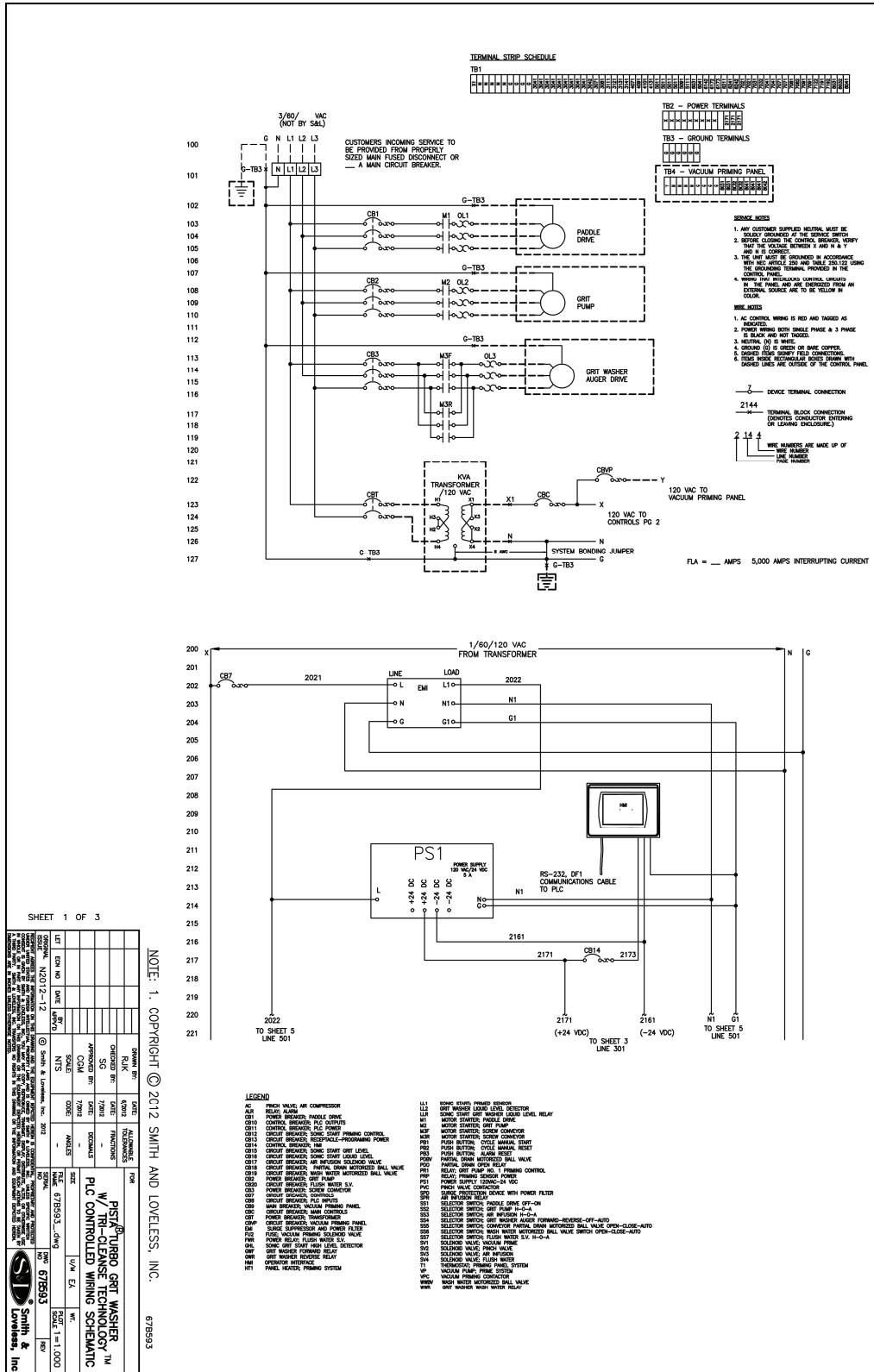
ENGINEERING DATA



Smith & Loveless, Inc.®

14040 Santa Fe Trail Drive
Lenexa, Kansas 66215-1284

PISTA® TURBO™ Grit Washer
with TRI-CLEANSE
TECHNOLOGY™ PLC
Controlled Wiring Schematics
Outline Drawing 67B593
Sheet 1 of 3
August 2012
Page 08



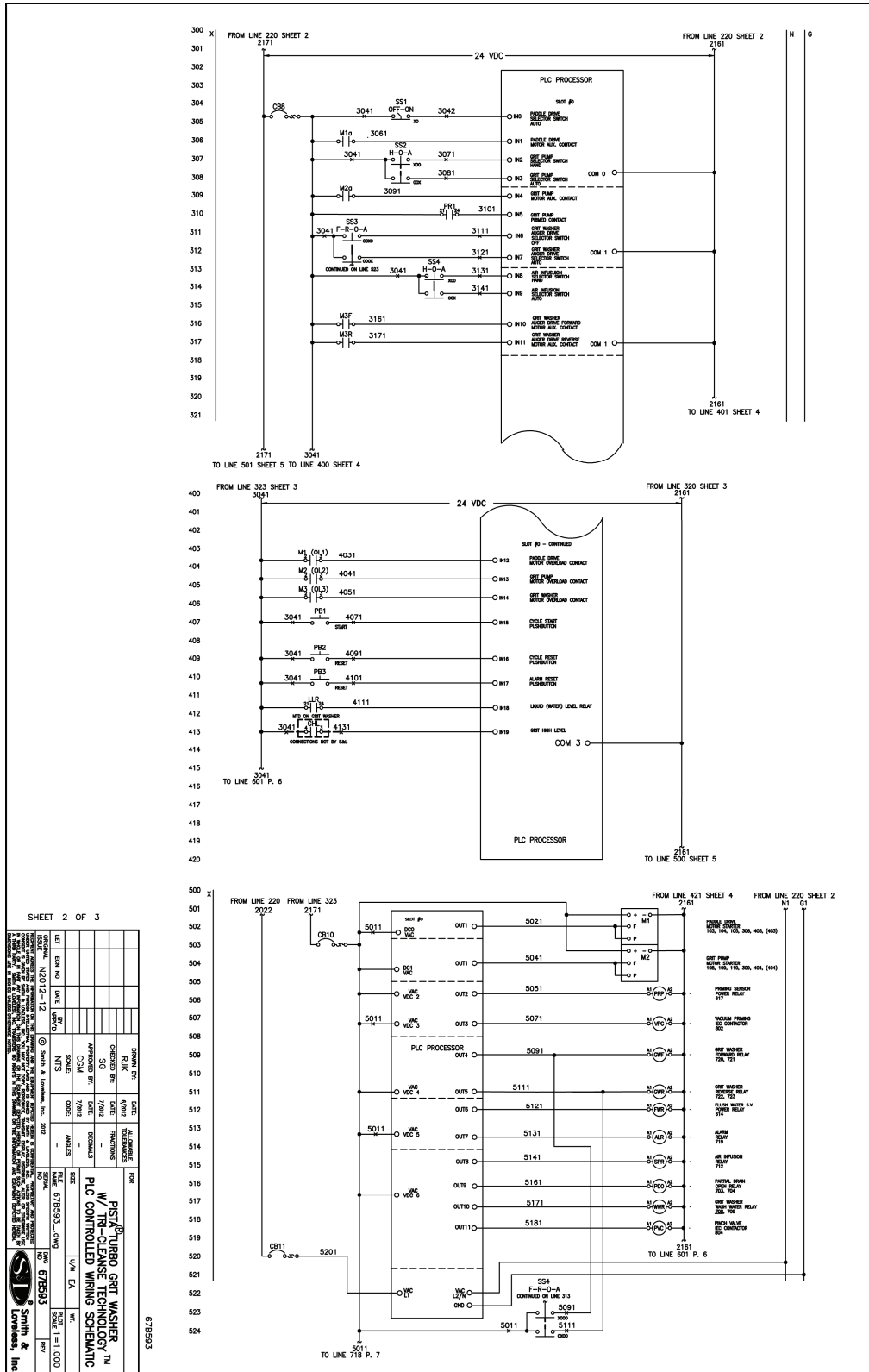
ENGINEERING DATA



Smith &
Loveless, Inc.®

14040 Santa Fe Trail Drive
Lenexa, Kansas 66215-1284

PISTA® TURBO™ Grit Washer
with TRI-CLEANSE
TECHNOLOGY™ PLC
Controlled Wiring Schematics
Outline Drawing 67B593
Sheet 2 of 3
August 2012
Page 09



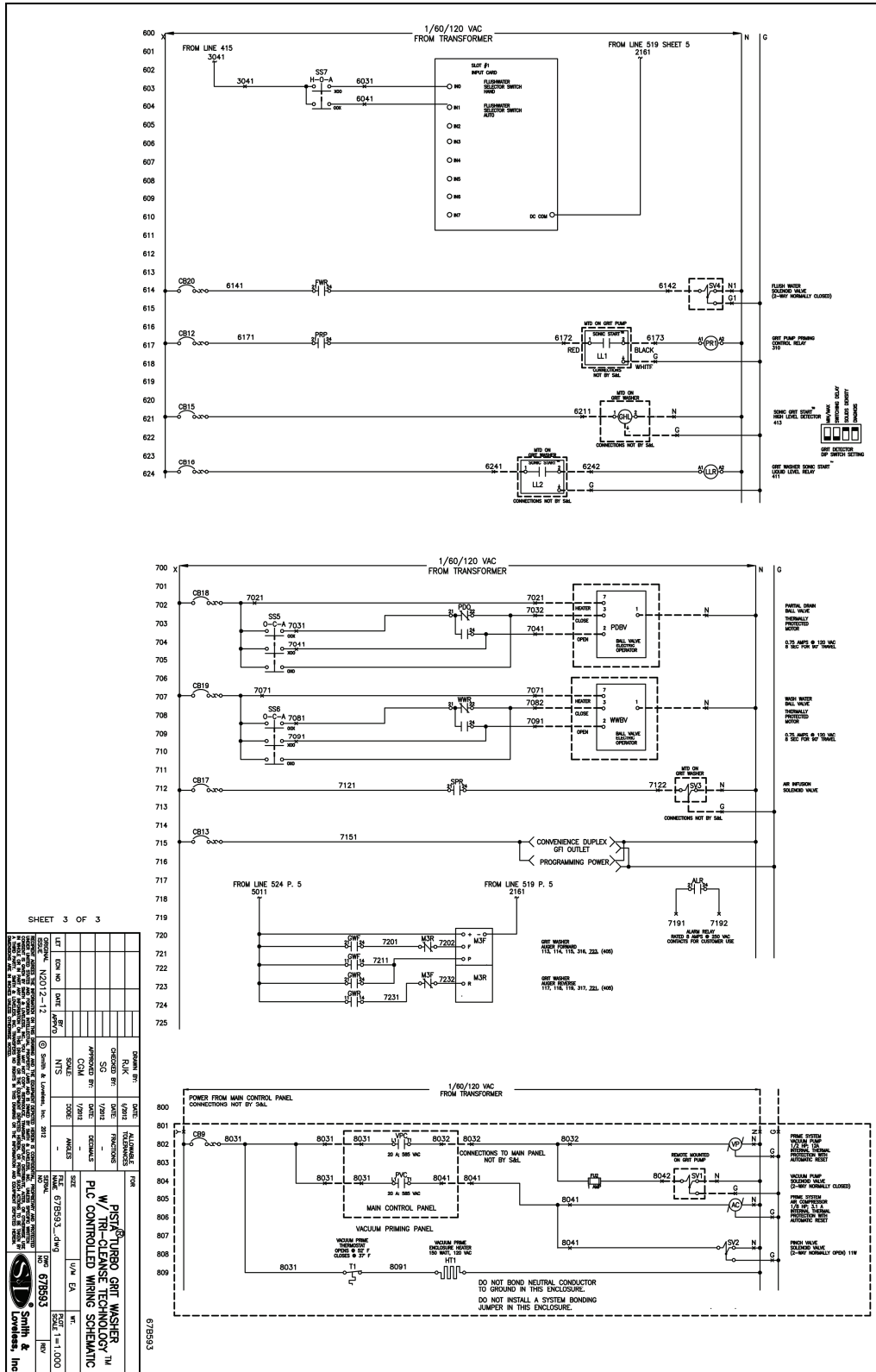
ENGINEERING DATA



Smith &
Loveless, Inc.®

14040 Santa Fe Trail Drive
Lenexa, Kansas 66215-1284

PISTA® TURBO™ Grit Washer
with TRI-CLEANSE
TECHNOLOGY™ PLC
Controlled Wiring Schematics
Outline Drawing 67B593
Sheet 3 of 3
August 2012
Page O10



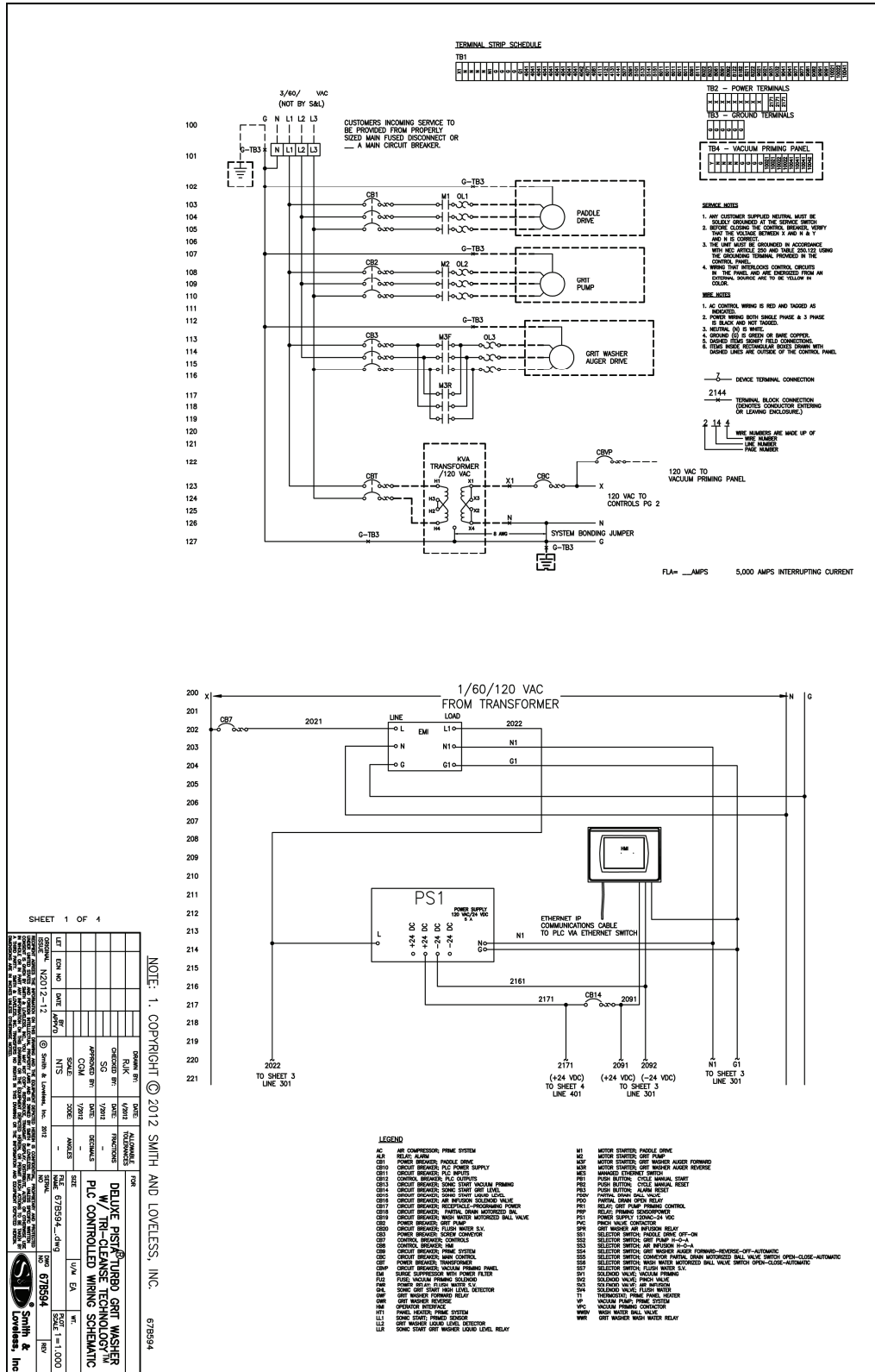
ENGINEERING DATA



Smith & Loveless, Inc.®

1404 Santa Fe Trail Drive
Lenexa, Kansas 66215-1284

Deluxe PISTA® TURBO™ Grit Washer with TRI-CLEANSE TECHNOLOGY™ PLC
Controlled Wiring Schematics
Outline Drawing 67B594
Sheet 1 of 4
August 2012
Page O11



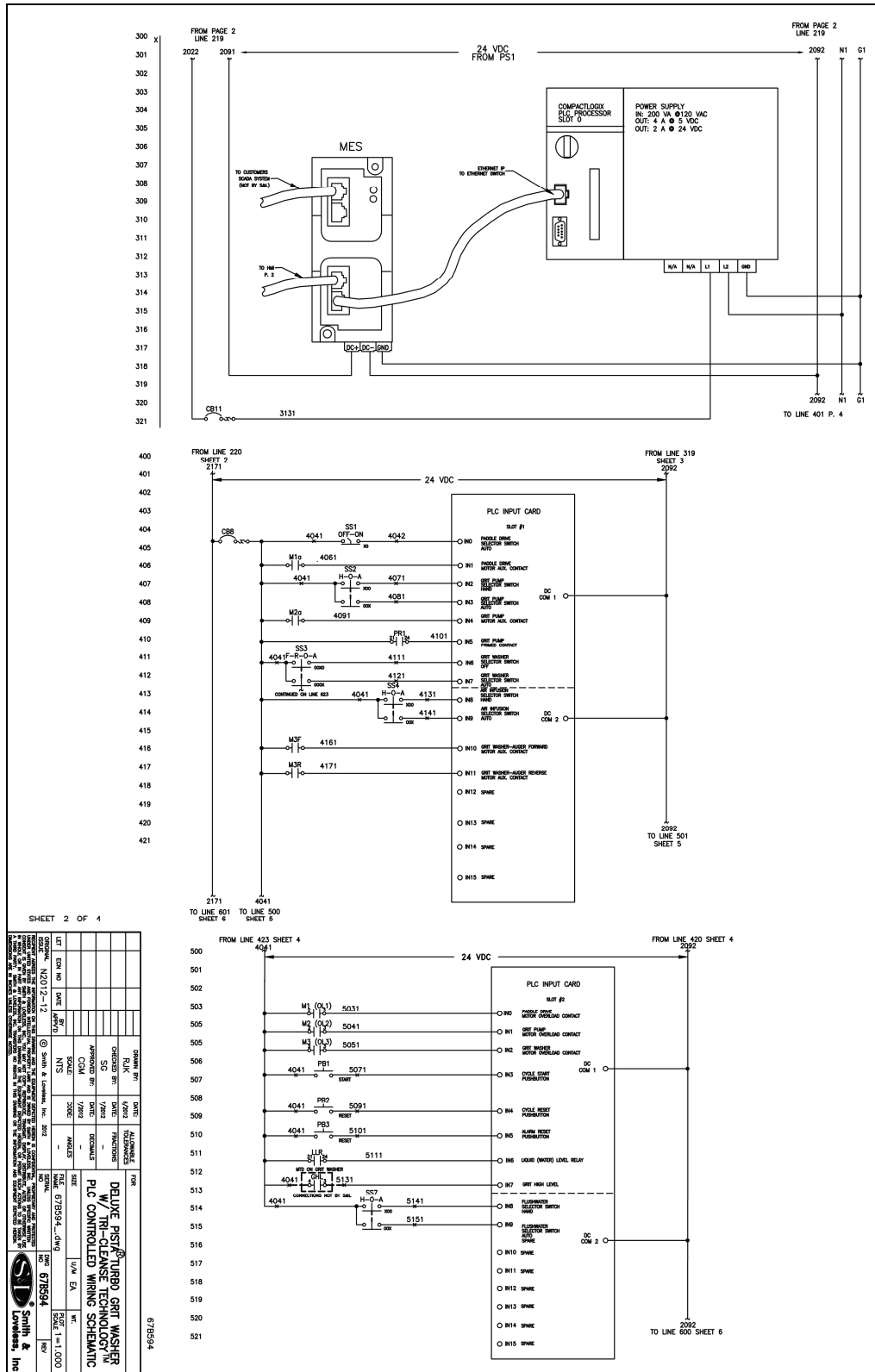
ENGINEERING DATA



Smith &
Loveless, Inc.®

14040 Santa Fe Trail Drive
Lenexa, Kansas 66215-1284

Deluxe PISTA® TURBO™ Grit
Washer with TRI-CLEANSE
TECHNOLOGY™ PLC
Controlled Wiring Schematics
Outline Drawing 67B594
Sheet 2 of 4
August 2012
Page O12



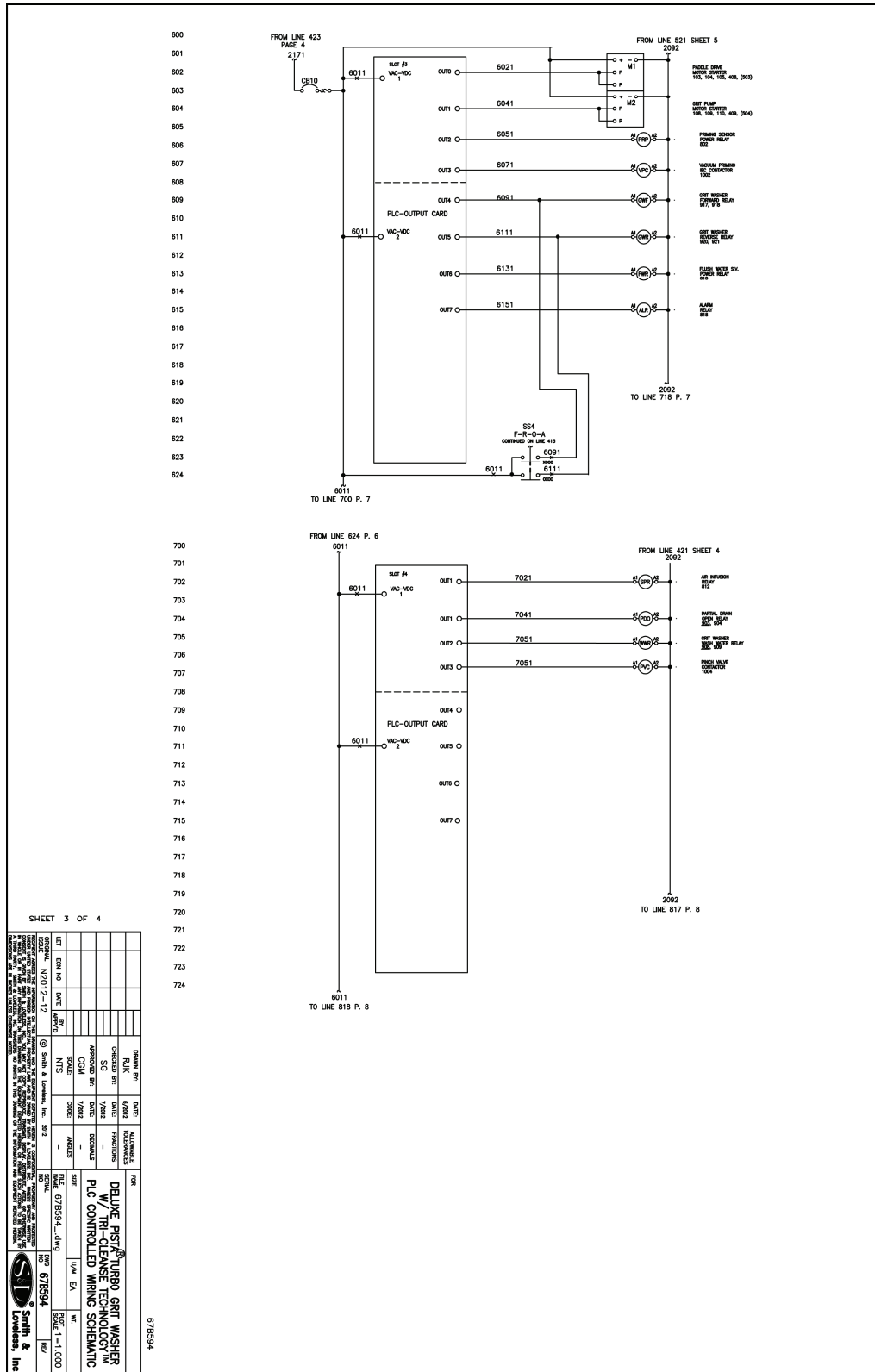
ENGINEERING DATA



Smith &
Loveless, Inc.®

14040 Santa Fe Trail Drive
Lenexa, Kansas 66215-1284

Deluxe PISTA® TURBO™ Grit
Washer with TRI-CLEANSE
TECHNOLOGY™ PLC
Controlled Wiring Schematics
Outline Drawing 67B594
Sheet 3 of 4
August 2012
Page O13



SHEET 3 OF 4

DATE	BY	REVISION	DESCRIPTION
08/15/12	WJ	1	PLC CONTROLLED WIRING SCHEMATIC
08/15/12	WJ	2	PLC CONTROLLED WIRING SCHEMATIC
08/15/12	WJ	3	PLC CONTROLLED WIRING SCHEMATIC
08/15/12	WJ	4	PLC CONTROLLED WIRING SCHEMATIC
08/15/12	WJ	5	PLC CONTROLLED WIRING SCHEMATIC
08/15/12	WJ	6	PLC CONTROLLED WIRING SCHEMATIC
08/15/12	WJ	7	PLC CONTROLLED WIRING SCHEMATIC
08/15/12	WJ	8	PLC CONTROLLED WIRING SCHEMATIC
08/15/12	WJ	9	PLC CONTROLLED WIRING SCHEMATIC
08/15/12	WJ	10	PLC CONTROLLED WIRING SCHEMATIC

DELUXE PISTA® TURBO™ GRIT WASHER
W/ TRI-CLEANSE TECHNOLOGY™ PLC CONTROLLED WIRING SCHEMATIC
 DRAWN BY: WJ
 CHECKED BY: WJ
 APPROVED BY: WJ
 DATE: 08/15/12
 SCALE: 1:1
 SHEET: 3 OF 4
 FILE: 67B594.dwg
 NO: 67B594
 U/M: EA
 WJ
 08/15/12
 Smith & Loveless, Inc.

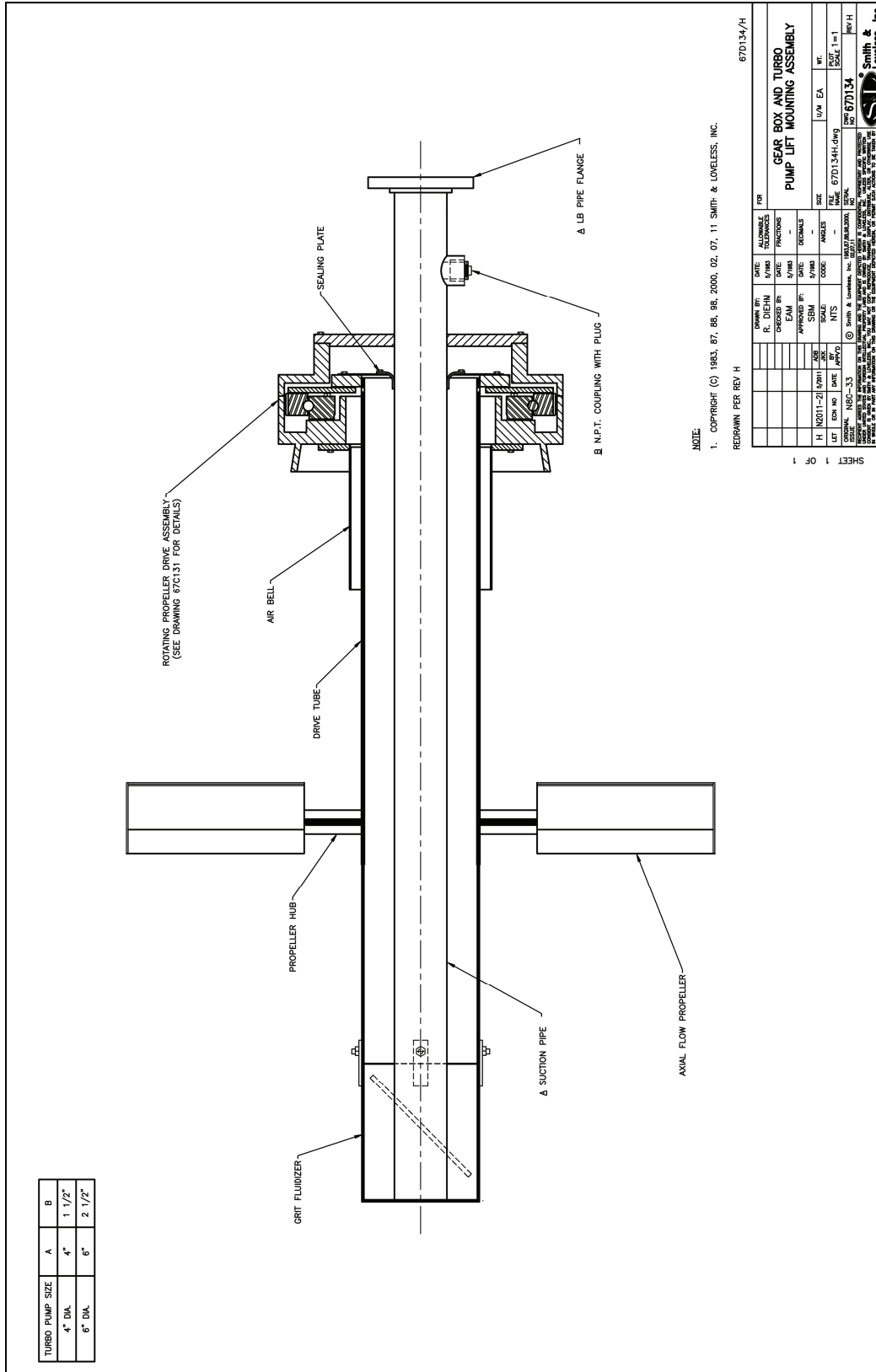
ENGINEERING DATA



Smith & Loveless, Inc.®

14040 Santa Fe Trail Drive
Lenexa, Kansas 66215-1284

PISTA® Grit Chamber
Gear Box and Pump
Lift Mounting
Assembly – Top-Mounted Pump
Outline Drawing 67D134
August 2012
Page O17



NOTE

1. COPYRIGHT (C) 1983, 87, 88, 98, 2000, 02, 07, 11 SMITH & LOVELESS, INC.

REDRAWN PER REV H

67D134/H

DATE	BY	DESCRIPTION	DATE	BY	DESCRIPTION
10/20/11	H	REVISED	10/20/11	H	REVISED
08/01/11	H	REVISED	08/01/11	H	REVISED
07/01/11	H	REVISED	07/01/11	H	REVISED
06/01/11	H	REVISED	06/01/11	H	REVISED
05/01/11	H	REVISED	05/01/11	H	REVISED
04/01/11	H	REVISED	04/01/11	H	REVISED
03/01/11	H	REVISED	03/01/11	H	REVISED
02/01/11	H	REVISED	02/01/11	H	REVISED
01/01/11	H	REVISED	01/01/11	H	REVISED
12/01/10	H	REVISED	12/01/10	H	REVISED
11/01/10	H	REVISED	11/01/10	H	REVISED
10/01/10	H	REVISED	10/01/10	H	REVISED
09/01/10	H	REVISED	09/01/10	H	REVISED
08/01/10	H	REVISED	08/01/10	H	REVISED
07/01/10	H	REVISED	07/01/10	H	REVISED
06/01/10	H	REVISED	06/01/10	H	REVISED
05/01/10	H	REVISED	05/01/10	H	REVISED
04/01/10	H	REVISED	04/01/10	H	REVISED
03/01/10	H	REVISED	03/01/10	H	REVISED
02/01/10	H	REVISED	02/01/10	H	REVISED
01/01/10	H	REVISED	01/01/10	H	REVISED
12/01/09	H	REVISED	12/01/09	H	REVISED
11/01/09	H	REVISED	11/01/09	H	REVISED
10/01/09	H	REVISED	10/01/09	H	REVISED
09/01/09	H	REVISED	09/01/09	H	REVISED
08/01/09	H	REVISED	08/01/09	H	REVISED
07/01/09	H	REVISED	07/01/09	H	REVISED
06/01/09	H	REVISED	06/01/09	H	REVISED
05/01/09	H	REVISED	05/01/09	H	REVISED
04/01/09	H	REVISED	04/01/09	H	REVISED
03/01/09	H	REVISED	03/01/09	H	REVISED
02/01/09	H	REVISED	02/01/09	H	REVISED
01/01/09	H	REVISED	01/01/09	H	REVISED
12/01/08	H	REVISED	12/01/08	H	REVISED
11/01/08	H	REVISED	11/01/08	H	REVISED
10/01/08	H	REVISED	10/01/08	H	REVISED
09/01/08	H	REVISED	09/01/08	H	REVISED
08/01/08	H	REVISED	08/01/08	H	REVISED
07/01/08	H	REVISED	07/01/08	H	REVISED
06/01/08	H	REVISED	06/01/08	H	REVISED
05/01/08	H	REVISED	05/01/08	H	REVISED
04/01/08	H	REVISED	04/01/08	H	REVISED
03/01/08	H	REVISED	03/01/08	H	REVISED
02/01/08	H	REVISED	02/01/08	H	REVISED
01/01/08	H	REVISED	01/01/08	H	REVISED
12/01/07	H	REVISED	12/01/07	H	REVISED
11/01/07	H	REVISED	11/01/07	H	REVISED
10/01/07	H	REVISED	10/01/07	H	REVISED
09/01/07	H	REVISED	09/01/07	H	REVISED
08/01/07	H	REVISED	08/01/07	H	REVISED
07/01/07	H	REVISED	07/01/07	H	REVISED
06/01/07	H	REVISED	06/01/07	H	REVISED
05/01/07	H	REVISED	05/01/07	H	REVISED
04/01/07	H	REVISED	04/01/07	H	REVISED
03/01/07	H	REVISED	03/01/07	H	REVISED
02/01/07	H	REVISED	02/01/07	H	REVISED
01/01/07	H	REVISED	01/01/07	H	REVISED
12/01/06	H	REVISED	12/01/06	H	REVISED
11/01/06	H	REVISED	11/01/06	H	REVISED
10/01/06	H	REVISED	10/01/06	H	REVISED
09/01/06	H	REVISED	09/01/06	H	REVISED
08/01/06	H	REVISED	08/01/06	H	REVISED
07/01/06	H	REVISED	07/01/06	H	REVISED
06/01/06	H	REVISED	06/01/06	H	REVISED
05/01/06	H	REVISED	05/01/06	H	REVISED
04/01/06	H	REVISED	04/01/06	H	REVISED
03/01/06	H	REVISED	03/01/06	H	REVISED
02/01/06	H	REVISED	02/01/06	H	REVISED
01/01/06	H	REVISED	01/01/06	H	REVISED
12/01/05	H	REVISED	12/01/05	H	REVISED
11/01/05	H	REVISED	11/01/05	H	REVISED
10/01/05	H	REVISED	10/01/05	H	REVISED
09/01/05	H	REVISED	09/01/05	H	REVISED
08/01/05	H	REVISED	08/01/05	H	REVISED
07/01/05	H	REVISED	07/01/05	H	REVISED
06/01/05	H	REVISED	06/01/05	H	REVISED
05/01/05	H	REVISED	05/01/05	H	REVISED
04/01/05	H	REVISED	04/01/05	H	REVISED
03/01/05	H	REVISED	03/01/05	H	REVISED
02/01/05	H	REVISED	02/01/05	H	REVISED
01/01/05	H	REVISED	01/01/05	H	REVISED
12/01/04	H	REVISED	12/01/04	H	REVISED
11/01/04	H	REVISED	11/01/04	H	REVISED
10/01/04	H	REVISED	10/01/04	H	REVISED
09/01/04	H	REVISED	09/01/04	H	REVISED
08/01/04	H	REVISED	08/01/04	H	REVISED
07/01/04	H	REVISED	07/01/04	H	REVISED
06/01/04	H	REVISED	06/01/04	H	REVISED
05/01/04	H	REVISED	05/01/04	H	REVISED
04/01/04	H	REVISED	04/01/04	H	REVISED
03/01/04	H	REVISED	03/01/04	H	REVISED
02/01/04	H	REVISED	02/01/04	H	REVISED
01/01/04	H	REVISED	01/01/04	H	REVISED
12/01/03	H	REVISED	12/01/03	H	REVISED
11/01/03	H	REVISED	11/01/03	H	REVISED
10/01/03	H	REVISED	10/01/03	H	REVISED
09/01/03	H	REVISED	09/01/03	H	REVISED
08/01/03	H	REVISED	08/01/03	H	REVISED
07/01/03	H	REVISED	07/01/03	H	REVISED
06/01/03	H	REVISED	06/01/03	H	REVISED
05/01/03	H	REVISED	05/01/03	H	REVISED
04/01/03	H	REVISED	04/01/03	H	REVISED
03/01/03	H	REVISED	03/01/03	H	REVISED
02/01/03	H	REVISED	02/01/03	H	REVISED
01/01/03	H	REVISED	01/01/03	H	REVISED
12/01/02	H	REVISED	12/01/02	H	REVISED
11/01/02	H	REVISED	11/01/02	H	REVISED
10/01/02	H	REVISED	10/01/02	H	REVISED
09/01/02	H	REVISED	09/01/02	H	REVISED
08/01/02	H	REVISED	08/01/02	H	REVISED
07/01/02	H	REVISED	07/01/02	H	REVISED
06/01/02	H	REVISED	06/01/02	H	REVISED
05/01/02	H	REVISED	05/01/02	H	REVISED
04/01/02	H	REVISED	04/01/02	H	REVISED
03/01/02	H	REVISED	03/01/02	H	REVISED
02/01/02	H	REVISED	02/01/02	H	REVISED
01/01/02	H	REVISED	01/01/02	H	REVISED
12/01/01	H	REVISED	12/01/01	H	REVISED
11/01/01	H	REVISED	11/01/01	H	REVISED
10/01/01	H	REVISED	10/01/01	H	REVISED
09/01/01	H	REVISED	09/01/01	H	REVISED
08/01/01	H	REVISED	08/01/01	H	REVISED
07/01/01	H	REVISED	07/01/01	H	REVISED
06/01/01	H	REVISED	06/01/01	H	REVISED
05/01/01	H	REVISED	05/01/01	H	REVISED
04/01/01	H	REVISED	04/01/01	H	REVISED
03/01/01	H	REVISED	03/01/01	H	REVISED
02/01/01	H	REVISED	02/01/01	H	REVISED
01/01/01	H	REVISED	01/01/01	H	REVISED

